

1131 - GY Balkeerklep met flens

APPLICATION

General uses: waste water, sticky fluids, raising water (purification, water treatment, pumping...)

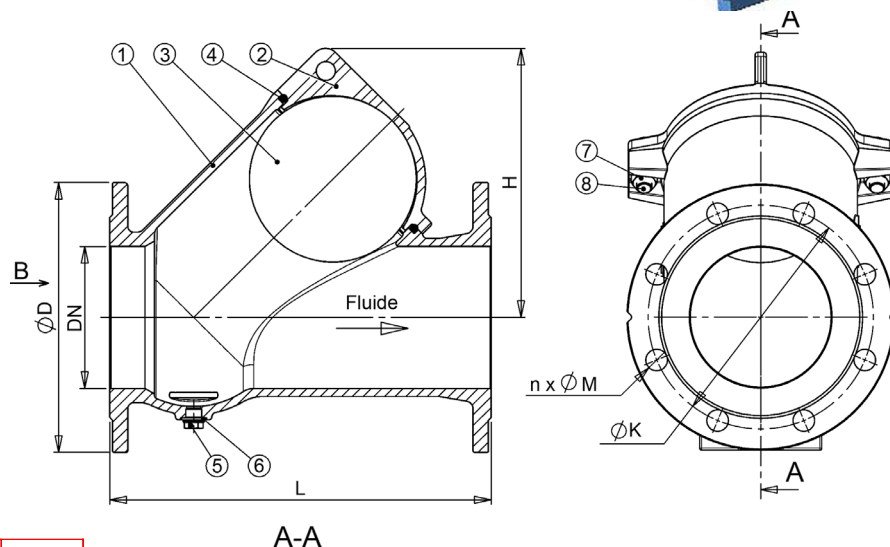
GENERAL CHARACTERISTICS

Design in accordance with standard NF EN 12334.
Tight and working in horizontal or vertical position.
Low head loss.
Full bore thanks to the moving of the ball.
Self-cleaning ball.
Lifting hook in the cover for easy handling.
Easy and quick disassembling cover.
Cap allowing the takeoff of the ball.
Body: oven baked epoxy 150 µm, RAL 5015..



CONSTRUCTION

8	2	Screw	Steel A2-70
7	2	Nut	Steel A2-70
6	1	Gasket	Nitril
5	1	Plug	Carbon steel
4	1	O ring	Nitril
3	1	Ball	Nitril coated : -Aluminium DN<100 -Steel (DN >80)
2	1	Bonnet	Ductile iron EN-GJS-500-7
1	1	Body	Ductile iron EN-GJS-500-7
Pos.	Q-ty	Description	Material



DIMENSIONS

DN		L	H	Ø D	Ø K	n x Ø M	Cracking pressure (mbar)	Weight (kg)
mm	inch							
40	1 1/2	180	100	150	110	4 x Ø19	6,9	5,63
50	2	200	113	165	125	4 x Ø19	12,6	7,44
65	2 1/2	240	135	185	145	4 x Ø19	20,5	9,94
80	3	260	165	200	160	4 x Ø19	12,0	12,8
100	4	300	203	220	180	4 x Ø19	16,0	17,9
125	5	350	247	250	210	4 x Ø19	41,6	27,6
150	6	400	284	285	240	8 x Ø23	25,7	38,1
200	8	500	380	340	295	8 x Ø23	26,7	71,4
250	10	600	464	400	350	12 x Ø23	32,5	118,7
300	12	700	556	455	400	12 x Ø23	35,7	174,6
350	14	800	651	505	460	16 x Ø23	54,2	271
400	16	900	767	565	515	16 x Ø28	64,0	411,6

WORKING CONDITIONS

Maximum working pressure: 10 bar.
Maximum temperature: -10°C / +90°C.
Warning: On request for low load.

Pressure test according to standards
EN 12266-1, DIN 3230, BS 6755 and ISO 5208 :
Body: 15 bar.
Seat: 11 bar.

STANDARDS

Manufacture according to the requirements of the European directive 97/23/CE «Equipment under pressure»
Modulate H. (DN 40-400)
Face to face according to standards NF EN 558-1 serie 48,
DIN 3202/1 serie F6. Standard mounting flanges according to
EN 1092-2 ISO PN 10, PN 16 and ASA 150 lbs on request.

